

S68 User's Manual

Black Flash Digital Scouting Camera

V1.0



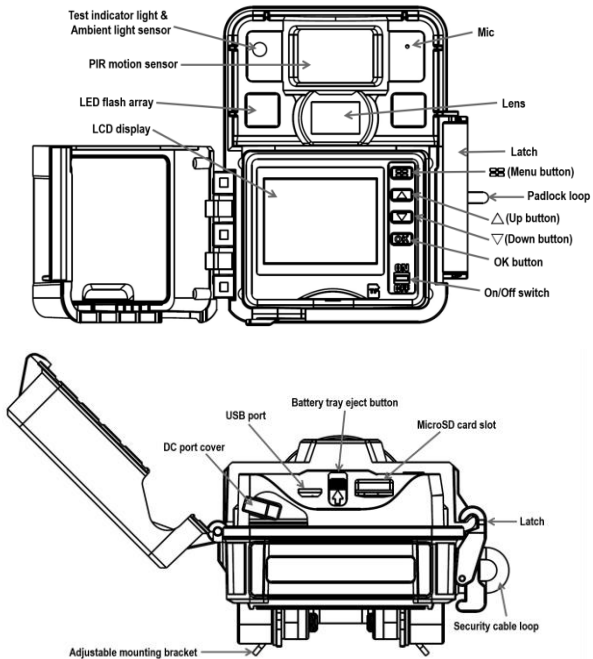
PLEASE READ CAREFULLY BEFORE USING YOUR CAMERA.

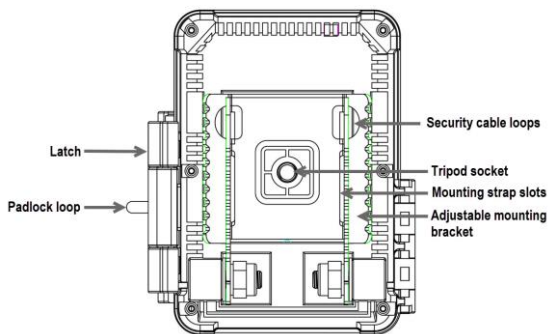
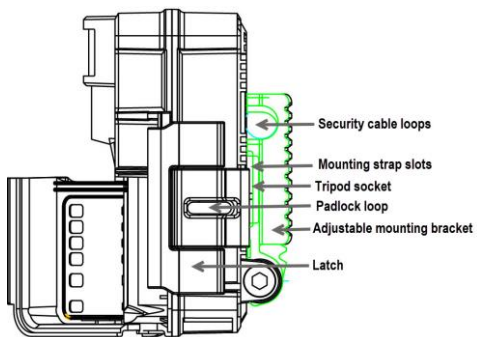
**Product specifications and data are subject to change without notice
to improve reliability, function, or design.**

Package Contents

Trail Camera	1	Mounting Strap	1
User's Manual	1		

Camera Body and Ports





Buttons and Switch

⏏: Menu: Enter the program menu in preview mode, exit from settings

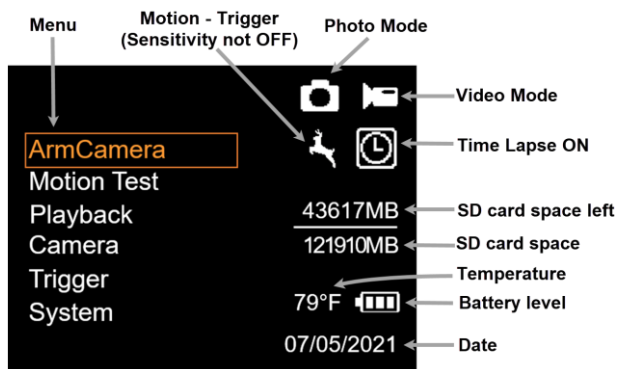
△▽: Up / Down: Move among the menu items

OK: Confirm a selection

On/Off switch

Battery tray eject button

Display



What You Need to Get Started

- MicroSD card, up to 512 GB (not included)
- 6 AA batteries (not included)
 - Lithium (recommended)
 - Alkaline
 - Rechargeable Ni-MH

Quick Setup

1. Load batteries.
 - a. Press the Battery Tray Eject button to release the battery tray then pull it out so you can load the batteries. **Hold the battery tray in case of falling down.**
 - b. Insert each battery and make sure its polarity matches the indicators on the bottom of the battery tray.
 - c. Insert the battery tray back into the camera.
2. Insert the microSD card.
 - a. Insert the microSD card in the slot on the bottom of the camera until it clicks into place.(The camera uses a microSD card to save your photos and videos.)
3. Set up the camera
 - a. Slide the power switch to the ON position, set the date and time, then press the **Menu** button to exit.
 - b. Set the **Camera**, **Trigger**, and **System** options as desired.
 - c. Format the microSD card (**System** menu).
 - d. Select **Motion Test**, press the **OK** button, adjust the camera position, then press the **Menu** button to exit. You can adjust the position by pulling the camera away from the mounting bracket.
 - e. Select **Arm Camera** then press the **OK** button. (If you do not arm the camera, it will arm itself after 4 minutes.)

Menu Settings

1. Switch the camera on.
2. Navigate the main menu or setting choices using the Δ ∇ (up and down) buttons.
3. Press the **OK** button to select a setting or the \blacksquare (Menu) button to exit and return to the previous level.

Setting Items		Description
Arm Camera	*Yes, No	Camera will arm itself after 4 minutes if you do not arm it manually.
Motion Test		Used to test the position of the camera.
Playback		View photos and videos on the SD card

Camera	Mode	Choose *Photo, Video, or Photo & Video.
	Photo Size	<i>Photo</i> or <i>Photo & Video</i> mode: choose the image size, *5M(original), 8M, or 24M
	Photo Burst	<i>Photo</i> mode: *1, 2, 3, 4, 5, 10 photos <i>Photo & Video</i> : *1, 2, 3 photos
	Burst Interval	*Short, 1 sec, 2 sec, 3 sec (when Burst set to 2 or more)
	Video	Video Size: 720P, *1080P, 1440P
Video Length: 5, *10, 15, 30 sec, 1 min		
Sound Rec: *On, Off		

Trigger	StartDelay	Camera start to work at preset Date and Time
	Sensitivity	Select High, *Normal, Low, or Off.
	Trigger Interval	The sleep time after each trigger. *0 sec, 5-55 sec in 5 sec intervals, 1-60 min in 1-min intervals
	Motion Plan	*All Day, User. When User is selected, the camera can be set to operate during one or two specific time periods instead of all day. Enter the hour and minutes for one or both plans (start-stop times). For each plan, set the trigger interval and time lapse interval. The plan settings override all other general camera settings. If you use both plans, make sure that you do not program times that overlap.
	Time Lapse	*Off; 30, 35, 40, 45, 50, 55 secs. 1, 5, 10, 15, 20, 30 min; 1, 2, 3, 4, 5, 6, 7, 8, 12, 24 hr The camera will take pictures at the specified time interval. Note that in Time Lapse mode, the camera will take motion-triggered photos unless Sensitivity is set to OFF. <i>Time Lapse Plan</i> : *All Day, one start-stop time for time lapse
Work Day	AllDays: *Yes, No. If set to NO, set to YES each day the camera should work.	

System	Clock	Set the Date, Time, Date Format (*MM/DD/YY, DD/MM/YY, YY/MM/DD), 24-Hour Time (*On, Off)
	Time Stamp	*On, Off. Select ON to print an info strip at the bottom of each photo or video, OFF for no info strip.
	Password	*Off, On. Set a 6-digit password using this option. (Note: keep a record of this password. If you forget it, you will have to return the camera to Seller with proof of ownership to have the password removed.)
	Format	Format the microSD card. This will erase all data on the microSD card and cannot be undone. You should format the card in the camera each time you put it into the camera.
	Beep	*On, Off. Toggle the key press beep sound on/off.
	Overwrite	*On, Off. Toggle overwrite on/off. If ON, once the SD card is full, the camera will overwrite the oldest image / video with the newest image / video.
	Export Setting	Saves this camera's settings to the microSD card so the settings can be transferred to another camera. (For more information on using this feature, see <i>Export Settings</i> on the next page.)
	FW Update	Update the firmware using a file downloaded from the web site and copied to the microSD card.
	Default	Restore all settings to factory default values.
	Name Tag	Enter up to 8 characters that will appear on the photo info strip to identify the camera.
	Information	Display the version of firmware on the camera.

Viewing and Deleting Photos and Videos

Viewing Photos

1. Highlight **Playback** then press the **OK** button.
2. Press the $\Delta \nabla$ (up and down) buttons to navigate through the pictures.
3. To return to the Home screen without deleting any photos, press the \blacksquare (Menu) button twice.

Deleting Photos

1. To delete one or all pictures, while viewing a photo press the **■**(Menu) button.
2. Choose either **Delete One** or **Delete ALL**.
3. Press the **OK** button.
4. Press the **■**(Menu) button to return to the next photo (if you deleted one) or the Home screen (if you deleted all).

Note: You can also delete everything on the microSD card by formatting it (**System** menu).

Viewing Videos

1. Highlight **Playback** then press the **OK** button.
2. Press the **△▽** (up and down) buttons to navigate through the pictures.
3. Press the **OK** button to play/pause the video or press the **Menu** button to return to the preview screen.
4. To return to the Home screen without deleting any photos, press the **■**(Menu) button twice.

Deleting Videos

1. To delete one or all videos, while looking at the first frame of a video on the preview screen, press the **■**(Menu) button.
2. Choose either **Delete One** or **Delete ALL**.
3. Press the **OK** button.
4. Press the **■** (Menu) button to return to the next photo (if you deleted one) or the Home screen (if you deleted all).

Note: You can also delete everything on the microSD card by formatting it (**System** menu).

Export Settings

Exporting the settings

1. In the System menu, highlight Export Settings then press the OK button to save a file called settings.ini to the microSD card.

Using the exported settings in a new camera

1. Once you have saved the settings from one camera onto a microSD card, insert the microSD card into the new camera.
2. Turn the switch to ON and the camera will ask you Update Setting, Yes or No.
3. Choose Yes to copy the settings to this camera or No to set up the camera manually.

Technical Specifications

Field of View	78° wide angle (horizontal)
Flash	Invisible Blackout IR LED
Trigger Speed	0.45s
Recovery Time	1.8s
Image and Video Color	Daylight: color, Night: monochrome
Modes	Photo, Video, Photo & Video
Image Properties	5MP, 8MP, 24MPwith 4:3 aspect ratio
Photo Burst	Photo: 1, 2, 3, 4, 5, 10; Photo & Video: 1, 2, 3 Burst interval: Short, 1s, 2s, 3s (when burst is set to 2 or more)
Video Properties	Resolution: 1440p (2560 * 1440), 1080p (1920 * 1080), 720p (1280 * 720) Aspect ratio: 16:9 Length: 5s, 10s, 15s, 30s, 60s Sound: supported
Trigger Options	Motion (PIR), Timer (Time Lapse, Motion Plan [Start-Stop])
PIR	Detection range: up to 60 ft (18m) Sensitivity settings: High, Normal, Low, Off
Trigger Interval	0s - 60min
Time-Lapse Interval	Off, 30s, 35s, 40s, 45s, 50s, 55s, 1m, 5m, 10m, 15m, 20m, 30m, 1h, 2h, 3h, 4h, 5h, 6h, 7h, 8h, 12h, 24h
Motion Plan (Start-Stop)	Two
Work Day	Camera works every day or only on selected days
Camera Password	Supported
Display	2" IPS LCD, resolution, front-facing
SD Card	MicroSD, support up to 512GB (not included)
Power	internal: 6 AA batteries (1.2-1.5V ea; alkaline, lithium, or rechargeable) external: 12V SLA, 12V DC adapter
Dimensions	115 * 90 * 72mm

Weight	315g w/o batteries
Operation Conditions	Temperature: -20 to 60 Celsius Humidity: 5% - 90%
IP Rating	IP65
Mounting Options	Adjustable hinged rear bracket, rear tripod socket, mounting strap, security cable lock
Padlock lockable	Supported